

PRODUCT NUMBER

**00775699**

CATALOG NUMBER

**GRATE GUARD**

LOAD RATING

COATING

**UNDIPPED**

ESTIMATED WEIGHT

GUARD: 8 LBS 3.6kg

MATERIAL SPECIFICATION

GUARD - STEEL  
ASTM A-36M

OPEN AREA

N/A

✓ DESIGNATES MACHINED SURFACE

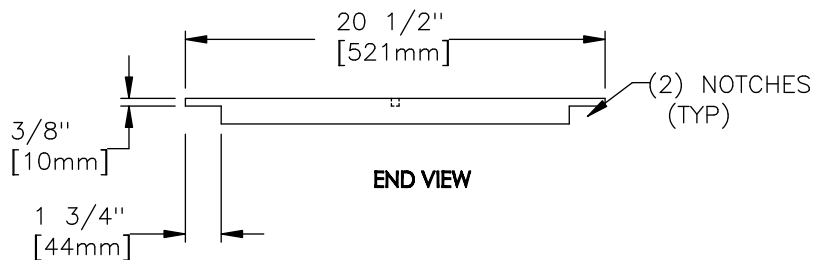
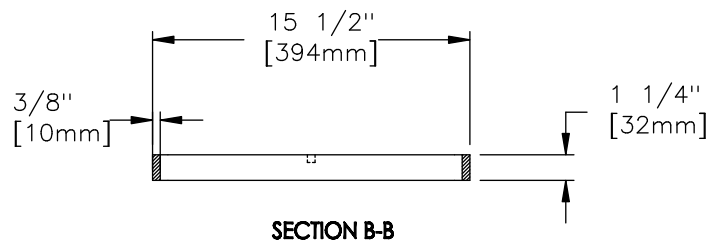
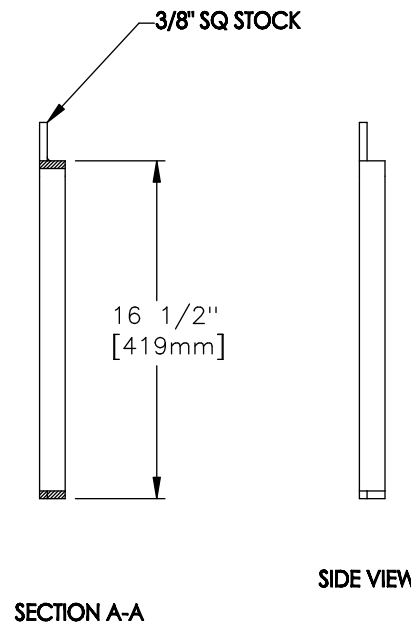
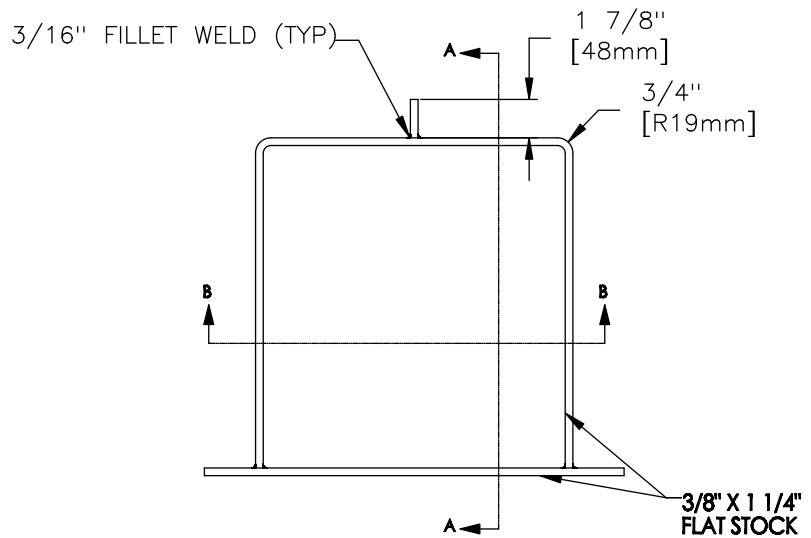
DRAWN  
SBB

DATE  
05/23/06

LAST REVISED  
DEW

DATE  
09/29/06

REFERENCE INFORMATION



MATERIAL: H.R.S.